

SA&I 1-4040 (2000)

Canadian _____ County, Oklahoma
COUNTY PURCHASING OFFICE
Canadian _____ County Court House
El Reno _____, Oklahoma
Phone: (405) 422-2441

INVITATION TO BID

PLEASE REVIEW TERMS AND CONDITIONS ON REVERSE
SIDE RELATING TO SUBMISSION OF THIS BID.
Notarized Affidavit completions and signature required on reverse side.

DATE ISSUED
September 9, 2013
Page 1 of 2

BID NUMBER: #2014-#11 Asphalt / Canadian County District #2
BID CLOSING DATE AND HOUR: Sept. 27, 2013 at 4:00 pm
REQUIRED DELIVERY DATE: SEE SPECIFICATIONS
Days after award of Purchase Order

TERMS: Net, FOB this bid will open September 30, 2013 at 9:30am
DATE OF DELIVERY: SEE SPECIFICATIONS

ITEM	QUANTITY	UNIT OF ISSUE	DESCRIPTION	UNIT PRICE	TOTAL
(1) or more			<p>Canadian County District #2 is seeking bids to place approx. 3,300 tons of asphalt on SW 29th beginning at the intersection of Hwy 81 extending east to the entrance of the OEMA Landfill.</p> <p>See Attached Drawings and Specifications for details:</p> <p>The Board of Canadian County Commissioners reserves the right to reject any and all bids or to award all or any portion of the items bid.</p> <p><u>The reverse of this sheet must be completed and returned or the bid will be rejected.</u></p> <p>Contact person: David Anderson, District #2 Commissioner 21,000 SW 29th Union City, OK 73099 (405) 205-8955</p>		<p>\$ _____</p> <p>Total</p>

APPROVED
Date 9-5-13
David Anderson
Officer of Department Head

STATE OF OKLAHOMA
CANADIAN COUNTY
FILED OR RECORDED
SEP - 9 2013
SHELLEY DICKERSON
COUNTY CLERK
13714

TERMS AND CONDITIONS

1. Sealed bids will be opened in the Commissioner's Conference Room, Canadian
County Courthouse, 201 N Choctaw Avenue, El Reno, Oklahoma, at the time and date shown on the invitation to bid form.
2. Late bids will not be considered. Bids must be received in sealed envelopes (one to an envelope) with bid number and closing date written on the outside of the envelope.
3. Unit prices will be guaranteed correct by the bidder.
4. Firm prices will be F.O.B. destination.
5. Purchases by Canadian County, Oklahoma, are not subject to state or federal taxes.
6. This bid is submitted as a legal offer and any bid when accepted by the County constitutes a firm contract.
7. Oklahoma laws require each bidder submitting a bid to a county for goods or services to furnish a notarized sworn statement of non-collusion. A form is supplied below.
8. Bids will be firm until 10/30/2013
(DATE)

AFFIDAVIT: I, the undersigned, of lawful age, being first duly sworn on oath say that he (she) is the agent authorized by the bidder to submit the above bid. Affiant further states that the bidder has not been a party to any collusion among bidders in restraint of freedom of competition by agreement to bid at a fixed price or to refrain from bidding; or with any state official or employee as to quantity; quality or price in the prospective contract or any other terms of said prospective contract; or in any discussions between bidders and any state official concerning exchange of money or other thing of value for special consideration in the letting of a contract; that the bidder/contractor has not paid, given or donated or agreed to pay, give or donate to any officer or employee of the State of Oklahoma (or other entity) any money or other thing of value, either directly or indirectly in the procuring of the award of a contract pursuant to this bid.

Subscribed and sworn before this _____ day

of _____, 20____ (SEAL)

Firm: _____

My commission expires _____

Signed by: _____ Title: _____
(Manual Signature of Undersigned)

NOTARY PUBLIC (CLERK OR JUDGE)

Address: _____ Phone: _____

City: _____ State: _____

Please mail sealed bids to:
Canadian County Clerk's Office
Attn: Purchasing
PO Box 458
El Reno, OK 73036

Zip: _____

Street Address:
201 N Choctaw Avenue
El Reno, OK 73036



**Canadian County
Purchasing**

Bid Specifications

Date Issued: September 9, 2013
Bid Number: **2014-#11**
Closing Date: September 27, 2013 at 4:00pm
PO Box 458, 201 N. Choctaw Ave., El Reno, OK 73036
Opening Date: September 30, 2013 at 9:30am
Commissioner's Meeting Room, 201 N. Choctaw Ave., El Reno, OK 73036

~ SPECIFICATIONS~

Asphalt / Canadian County District #2

Canadian County District #2 is seeking bids to place approximately 3,300 tons of asphalt on SW 29th beginning at the intersection of Hwy 81 extending east to the entrance of the OEMA Landfill.

- Bidders will be providing asphalt in place only.
- Sub-grade stabilization will be performed by the county.

See Attached Drawings and Specification for details:

For Information Contact:

Contact: David Anderson, District #2 Commissioner

Phone: (405) 205-8955

Hours: Monday – Friday 8:00am to 3:30pm

Address: 21,000 SW 29th, Union City, OK 73090

If you have any questions or need additional information, please contact:
Sherry Murray, Purchasing Agent, 405.295.6125 or 405.422.2441
smurray@okcana.cogov.net

STATE OF OKLAHOMA
DEPARTMENT OF TRANSPORTATION

PLAN OF PROPOSED
COUNTY ROADWAY
COUNTY ROAD PROJECT NO CR-109C(173)
GRADING, DRAINAGE AND SURFACING PLANS
STATE JOB NO. 27584(04)
CANADIAN COUNTY

FED ROAD DIST. NO.	PROJECT NO.	SHEET NO.	TOTAL SHEETS
6	CR-109C(173)	1	

INDEX OF SHEETS

- TITLE SHEET
- TYPICAL SECTION, DETAILS & QUANTITIES
- PLAN SHEET

APPROVED:
BOARD OF COMMISSIONERS

CHAIRMAN _____

MEMBER _____

MEMBER _____

ATTEST:
COUNTY CLERK _____

FOX & DRECHSLER INC.
CONSULTING CIVIL ENGINEERS

NOTE: THIS DOCUMENT IS PRELIMINARY
IN NATURE AND IS NOT A FINAL,
SIGNED AND SEALED DOCUMENT.

CERTIFICATE OF AUTHORIZATION NO. 375 EXPIRES 6-30-12

PRELIMINARY
FOR REVIEW &
COMMENT ONLY

OKLAHOMA DEPARTMENT OF TRANSPORTATION DATE APPROVED _____ BY _____ CHIEF ENGINEER	DEPARTMENT OF TRANSPORTATION FEDERAL HIGHWAY ADMINISTRATION DATE APPROVED _____ BY _____ DIVISION ADMINISTRATOR
---	---

SWO. C.R. Project No. CR-109C(173) Sheet No. 1 10-11

DESIGN DATA

ADT 2010 = 338
ADT 2030 = 450
V = 45 MPH

SCALES

PLAN 1" = 50'
PROFILE HOR. 1" = 50'
VER. 1" = 10'
LAYOUT MAP 1" = 1MI.

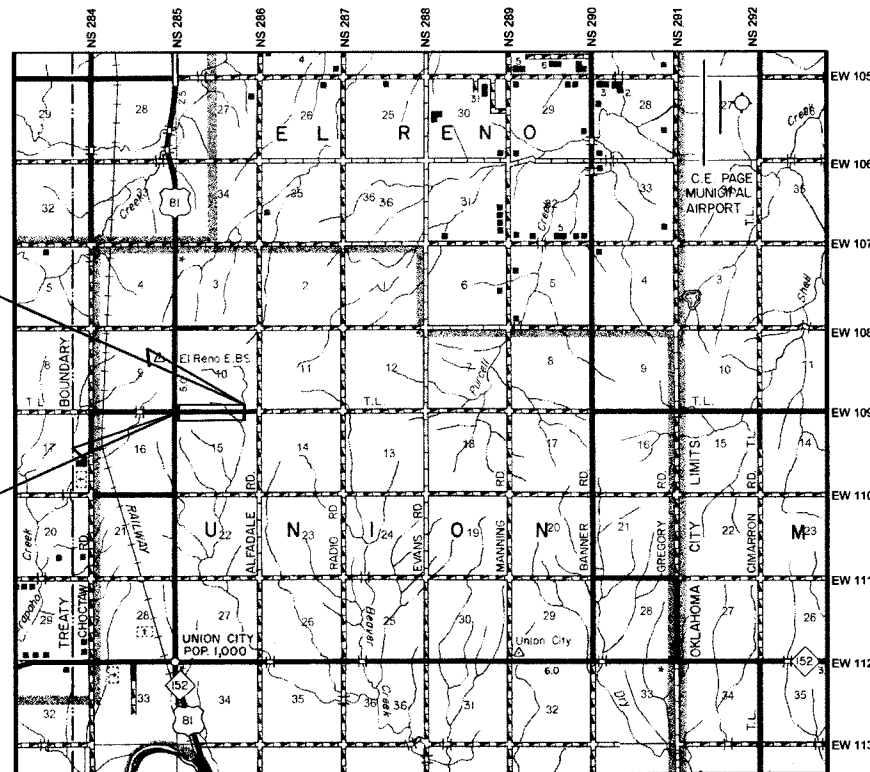
CONVENTIONAL SYMBOLS

- PROPOSED ROAD
- RAILROADS
- RANGE & TOWNSHIP SECTION LINES
- QUARTER SECTION LINES
- FENCES
- GROUND LINE
- EXISTING ROADS
- BASE LINE
- GRADE LINES
- TELEPHONE & TELEGRAPH
- POWER LINES
- OIL WELLS
- BUILDINGS
- DRAINAGE STRUCTURES - IN PLACE
- DRAINAGE STRUCTURES - NEW
- RIGHT-OF-WAY LINES - EXISTING
- RIGHT-OF-WAY LINES - NEW
- RIGHT-OF-WAY MARKERS - IN PLACE
- RIGHT-OF-WAY MARKERS - REMOVE & RESET
- RIGHT-OF-WAY MARKERS - NEW
- CONTROLLED ACCESS
- RIGHT-OF-WAY FENCE

1999 OKLAHOMA STANDARD SPECIFICATIONS FOR HIGHWAY CONSTRUCTION, ENGLISH GOVERN,
APPROVED BY THE U.S. DEPT. OF TRANSPORTATION, FEDERAL HIGHWAY ADMINISTRATION,
SEPTEMBER 21, 1999.

END PROJECT CR-109C(173)

BEGIN PROJECT CR-109C(173)



ROADWAY LENGTH _____

BRIDGE LENGTH _____

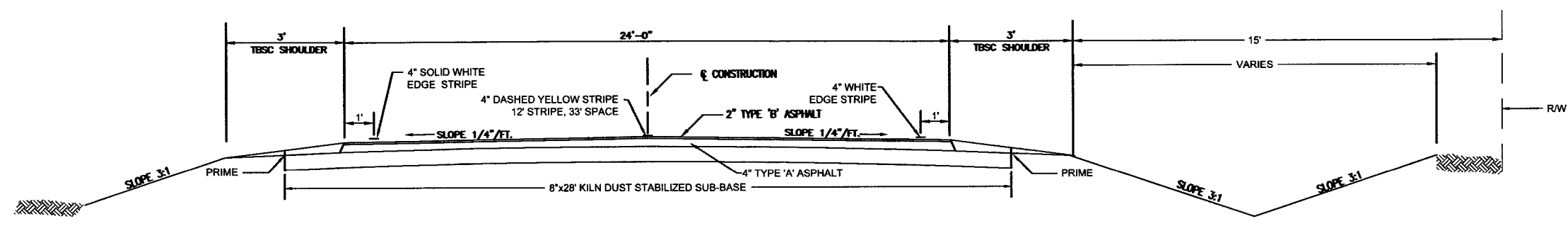
PROJECT LENGTH _____

EQUATION = NONE

EXCEPTION = NONE

P.E. NO. (01) FOX & DRECHSLER INC. REVIEWED BY: BRIDGE DIV. & LOCAL GOV'T. - CHAMBERS DIST. NO. COMMISSIONER.

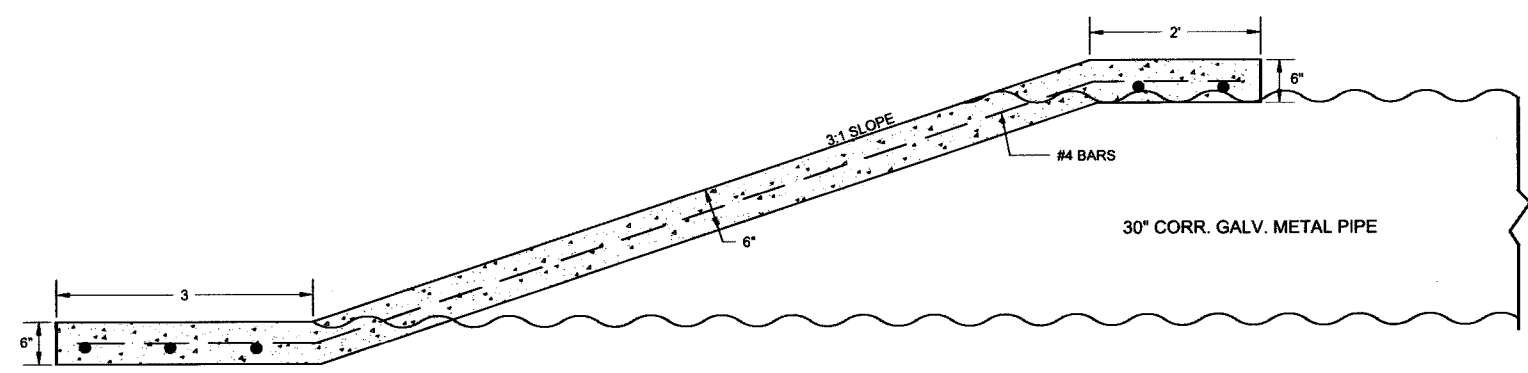
FED. ROAD DIST. NO.	STATE	PROJ. NO.	FISCAL YEAR	SHEET NO.	TOTAL SHEETS
6	OKLA.	J/P 27584(04)		2	
REVISIONS					
DESCRIPTION					DATE



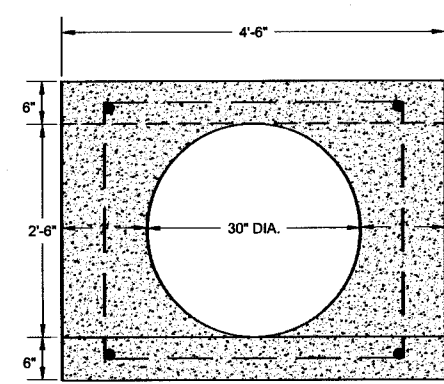
TYPICAL GRADING SECTION

NOTE:
KILN DUST STABILIZED SUB-BASE SHALL MEET THE REQUIREMENTS OF AND BE CONSTRUCTED IN ACCORDANCE WITH SPECIAL PROVISION SEC. 326(E) OF THE OKLAHOMA DEPARTMENT OF TRANSPORTATION SPECIFICATIONS.

ESTIMATED QUANTITIES		
ITEM	UNIT	QUANTITY
EARTHWORK	LS	1
30" CG STL. PIPE	LF	58
30" CULV. END TREATMENT	EA	2
KILN DUST TREATED SUBGRADE	SY	11600
TYPE 'A' ASPH. BASE	TON	2100
TYPE 'B' ASPHALT SURFACE	TON	1200
PRIME COAT	GAL	2600
TACK COAT	GAL	600
4" TRAFFIC STRIPE	LF	8400



SECTION



END VIEW

NOTES:

- 1 ALL CONSTRUCTION AND MATERIAL SHALL MEET THE REQUIREMENTS OF THE OKLAHOMA DEPARTMENT OF TRANSPORTATION SPECIFICATIONS.
- 2 ALL DRIVEWAY RETURNS WILL BE SURFACED TO THE RIGHT OF WAY LINE.

CULVERT END TREATMENT DETAILS

PRELIMINARY FOR REVIEW & COMMENT ONLY

Design	
Drawn	
Checked	
Approved	
Squad	

TYPICAL SECTIONS, DETAILS & QUANTITIES

FED. ROAD DIST. NO.	STATE	PROJ. NO.	FISCAL YEAR	SHEET NO.	TOTAL SHEETS
6	OKLA.	J/P 27584(04)		3	
DESCRIPTION		REVISIONS	DATE		



Proposed Roadway as shown is 3700 feet long by 24' wide with 50' radius returns at the Landfill Entrance.

SCALE: 1" = 200'

PRELIMINARY
FOR REVIEW
AND
COMMENT ONLY

Design	AED	
Drawn	BK	
Checked	AED	
Approved		
Squad	F&D, INC.	

LANDFILL ROAD IMPROVEMENTS
CANADIAN COUNTY, OKLAHOMA
ROADWAY PLAN

Project No. J/P 27584(04) Sheet No. 3



Canadian County
Purchasing

Affidavit / Proof of Mailing

Date Issued: September 9, 2013
Bid Number: **2014-#11**
Closing Date: September 27, 2013 at 4:00pm
PO Box 458, 201 N. Choctaw Ave., El Reno, OK 73036
Opening Date: September 30, 2013 at 9:30am
Commissioner's Meeting Room, 201 N. Choctaw Ave., El Reno, OK 73036

~ AFFIDAVIT~

Asphalt / Canadian County District #2

State of Oklahoma)
County of Canadian) §

I, Sherry Murray, Purchasing Agent, in and for said County and State, do hereby certify that "Invitations to Bid" were sent to the following:

Atlas Paving Company
Attn: Tyle
PO Box 75727
Oklahoma City, OK 73147

Better Roads & Parking Lots LLC
8201 NW 6th Street
Oklahoma City, OK 73127

Bid News
project@bidnews.com

Bordwine Development Inc
1102 Pikes Peak Road
Chickasha, OK 73018

ePlan
4115 South Providence, Suite 105
Columbia, MO 65203

Francis Tuttle Vo-Tech Center
Attn: Bid Assistance-Judy Robbins
12777 N Rockwell
Oklahoma City, OK 73142

Haskell Lemon Construction Co
PO Box 75608
Oklahoma City, OK 73147

Markwell Paving
PO Box 82005
Oklahoma City, OK 73148

Online Data Service
Attn: Laura Penn
30 Technology Pkwy South, Ste. 100

Reed Construction Data
Attn: Laura Penn
30 Technology Pkwy South, Ste. 100
Norcross, GA 30092

Schwarz Paving Co Inc
8251 W Reno
Oklahoma City, OK 73127

Silver Star Construction
2401 S Broadway
Moore, OK 73160

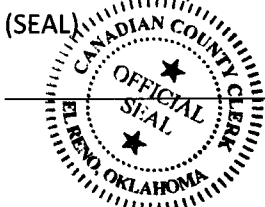
T J Campbell Construction Co
PO Box 15129
Oklahoma City, OK 73155

Wood & Sons Paving
200 North I-35
Edmond, OK 73034

Wright Asphalt Producers Co
Attn: Lance Fischer
730 S Hazelnut
Springfield, MO 65802

Witness my hand and seal this 9th day of September, 2013.


Glenda Mallam, Assistant Purchasing Agent





**Canadian County
Purchasing**

BID CHECKLIST

Date Issued: September 9, 2013
Bid Number: **2014-#11**
Closing Date: September 27, 2013 at 4:00pm
 PO Box 458, 201 N. Choctaw Ave., El Reno, OK 73036
Opening Date: September 30, 2013 at 9:30am
 Commissioner's Meeting Room, 201 N. Choctaw Ave., El Reno, OK 73036

**TO HELP PREVENT BIDS FROM BEING REJECTED FOR LACK OF COMPLETION
PLEASE CHECK FOR THE FOLLOWING:**

- Is the Invitation to Bid Signed and Notarized? _____
- Are all applicable spaces filled in? _____
- Are all necessary papers enclosed? _____
- Is the Bid # and Opening Date on outside of return envelope? _____

Thank You,

Sherry Murray, Purchasing Agent